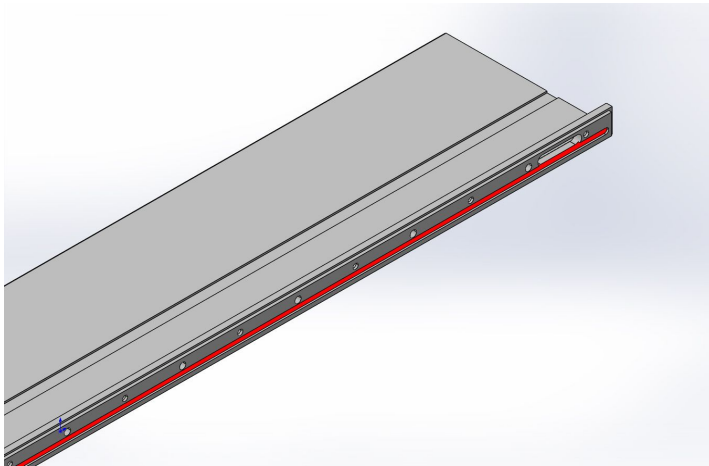


Strackk[®]

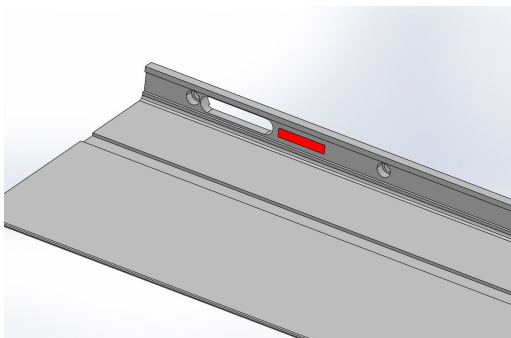
Assembly instructions

LED

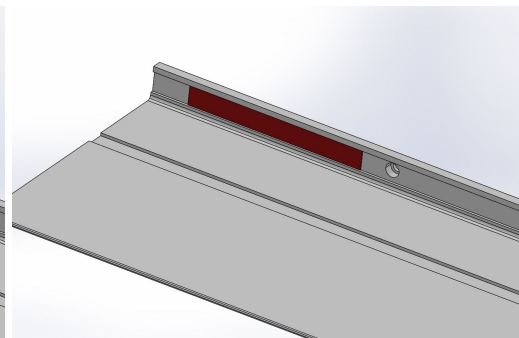
1. Determine on which side the cable connection comes from the board (left of right at the rear of the board about 8 cm from the side).
2. Make sure the shelf at the rear is clean and free of grease. Remove the protective sheet from the LED-strip and stick the LED-strip into the appropriate slot on the back of the shelf with the cable connection on the correct side (see red shading in the image below).



3. Connect the LED-strip to the mains via the supplied power supply to check whether the LED-strip works.
4. Stick the supplied double-sided tape over the entire length from the shelf, under the LED-strip on the back of the shelf.
5. Remove the protective film on both sides of the acrylic strip(s) and the protective sheet from the double-sided tape. Attach the acrylic strip(s) to the back of the wall shelf with the double-sided tape just applied. Ensure that the holes are correctly aligned and that the cable of the LED passes through the correct hole.
6. Mount the wall shelf.
7. Stick a short piece of double-sided tape behind the steel strip on which Strackk is standing and then stick the supplied plastic strip on it.



Installation of double-sided tape.



Placement of plastic strip.

8. Finally, attach the steel strip over the newly placed plastic strip.