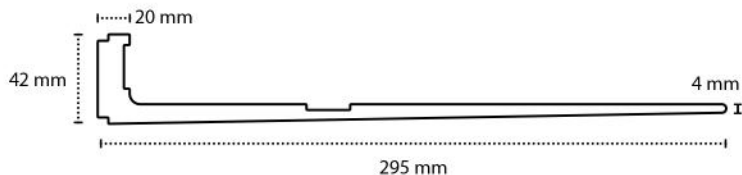
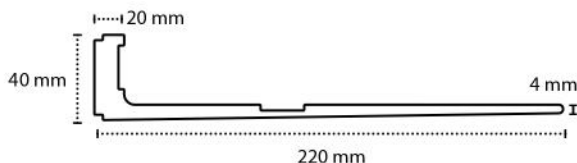
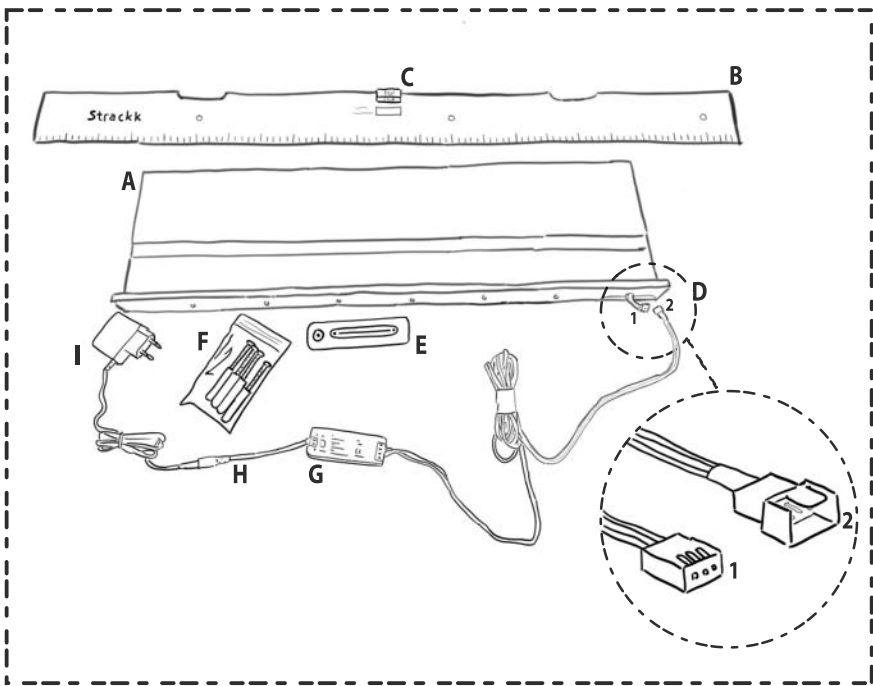


Strackk[®]

Wall shelf with lighting



**Congratulations on your
purchase!**



- A** — **Wall shelf with tunable LED strip**
- B** — **Ruler**
- C** — **Level**
- D₁** — **Short cord connector from shelf**
- D₂** — **Connector with long cord**
- E** — **Remote control**
- F** — **Screws and plugs**
- G** — **Controller**
- H** — **Connector power adapter to controller**
- I** — **power adaptor**

1

Take the Strackk shelf (A) out of the box.
To prevent damage
you can still leave the Styrofoam around the board and put it down.

2

Remove the screws, plugs (F) and spirit level (C) from the plastic packaging on the inside of the box.

3

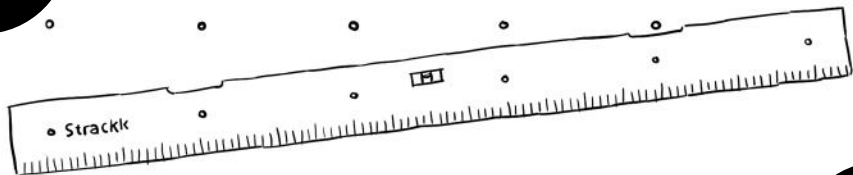
Remove the cardboard ruler (B) from the box.
You will find this in the side on the inside.

Always check your screw holes in the shelf
are in the same position as the holes in the ruler (B).
This may differ for some plank lengths.

4

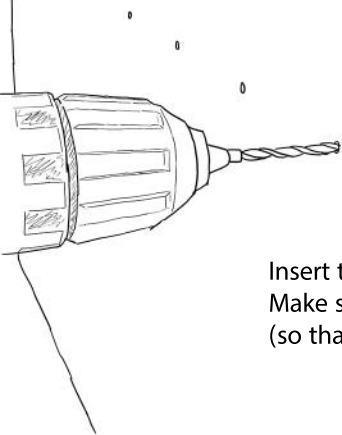
5

Place the spirit level (C) in the middle of the measuring rod (B) and
place the measuring rod with spirit level against the wall.
Mark the holes on the wall.



Use a 10mm drill for a 22 or 29.5 cm deep plank.

6



Insert the plugs (F) into the holes provided.
Make sure the plug goes fully into the wall.
(so that no plug edges protrude from the wall)

7

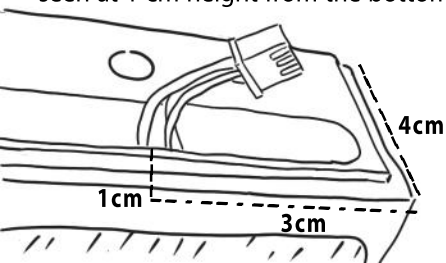


Note: a shelf with lighting can
not be connected directly to 220v.
Just plug it in
when everything is connected.



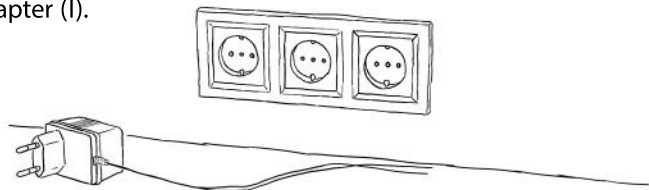
The plug for the LED lighting
with connector (D1) of 1cm² protrudes from the back of the shelf.
With the order you have indicated whether it is on the left
or right side (from front view) should protrude. This cable is coming
3 cm from the left or right side.
The raised edge on the wall side is 4 cm. The connection is there
seen at 1 cm height from the bottom.

8



9

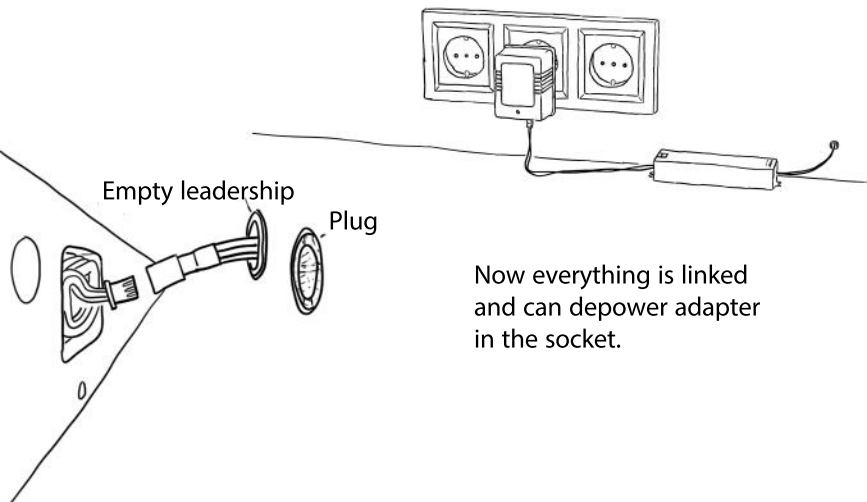
The shelf can now be connected to the cable with the plug be connected. Place the plug (I) at the desired socket. For example, a socket in a cupboard or behind the curtain so that it is not visible. Connect the controller (G). the power adapter (I).



The controller (G) has a 3 meter long cord (D2) which you through an empty pipe or milling in the wall can pull to come out of the wall and pair on the short cord (D1) from the shelf.

The empty pipe needs a diameter of at least 1cm^2 so that the connector (D1) can pass through it. Disconnect the connector from the shelf (D1) to the connector of the controller (D2).

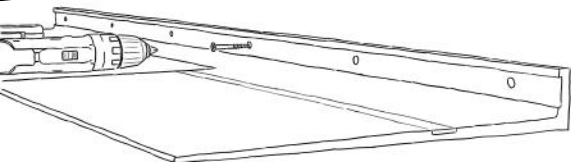
10



Now everything is linked and can depower adapter in the socket.

11

Then place the shelf against the wall exactly where the hole pattern of the plank is correct align with the screw holes in the wall. There is a recess for the plug on the cable in the back of the shelf.



Note: the cabling is not allowed between wall and shelf

12

Start by semi-tightening a screw in the center of the plank. Then tighten the screws from left to right.

Place the supplied magnetic strip in front of the screw holes to cover it nicely.

Note: When using the remote control for the first time, remove the foil on the battery. The on/off button on the remote control is also the dim button. By pressing it subtly you can dim the lighting.

13

Have fun with Strackk!

Technical information

The wall shelf with lighting from Strackk comes complete with supplied with the necessary accessories.

A power adapter (24 Volt), a controller with remote control and the cabling. In the case of Hue, Philips has no special Hue product for our application and we deliver the Zigbee 3.0 controller that can be connected with Hue.

However, a Bridge must be included in your system. The Bridge is not included in the Strackk delivery.

If desired, you can insert the Power adapter and the controller invisibly get rid of a closet or something like that. The relevant controller is registered with this Bridge and so the shelf with lighting becomes part of your light system.

The whole is pre-assembled and can be used with a number of plug connections.

Note: Strackk bears no responsibility for the link itself and the operation of non-Strackk products. If you do not have (electronic) technical experience or knowledge, we advise you to use the link and installation by an electrician or specialist.

Specifications

power adaptor

24 Volt DC, resp. 12, 24, 36 or 60 Watt Input voltage 230 Volt.
The power adapter is incorporated in the plug. From shelves longer than 2 meters, the power adapter is a separate box with a size of 11 x 3.4 x 1.8 cm or larger.

Shelf length	Max consumption	Controller (LXBXH)	Remote control
	12 W		
0 - 90 cm	24 W	11 x 3,4x 1,8 cm	13,5x4x1,2
91 - 160 cm	36 W	11 x 3,4x 1,8 cm	
161 - 240 cm	60 W	11 x 3,4x 1,8 cm	
241 - 400 cm		11 x 3,4x 1,8 cm	

Remote control

You can adjust the light colour, from yellow to white, by subtly sliding up and down under the on/off button. You can dim the light intensity by holding the on/off button longer for softer and harder light.

Power consumption	14 W / mtr
Luminous flux	1000-2000 LM / mtr
Temperature	2700 - 6500 Kelvin
CRI	90%
Dimmable	Yes